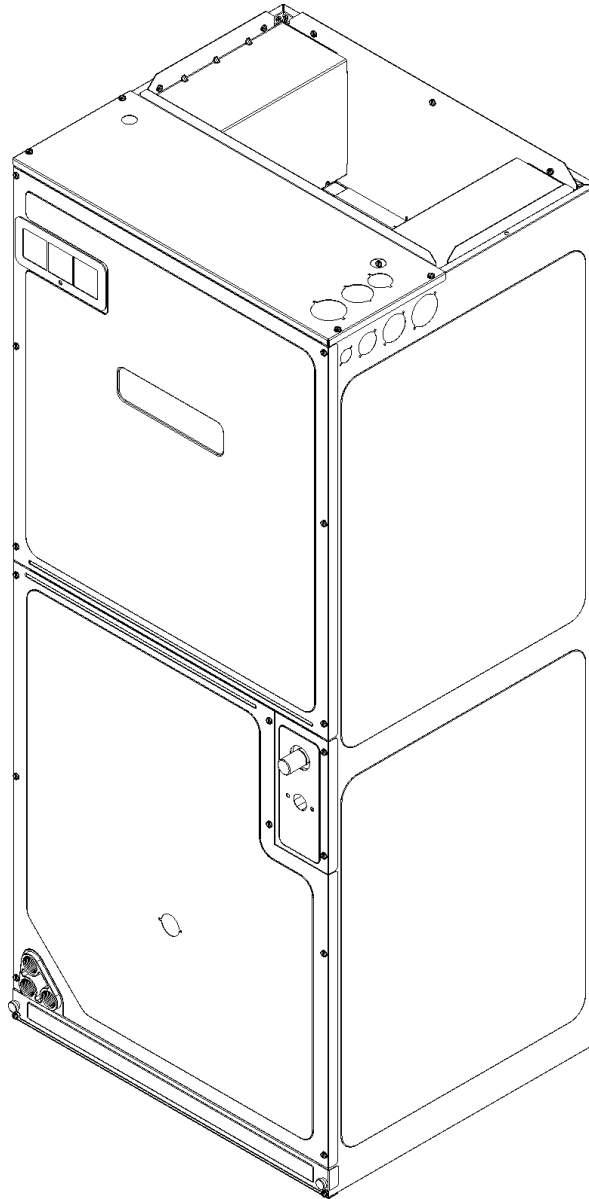


REPAIR PARTS

ASPT Air Handler

ASPT24B14AA
ASPT24B14AB
ASPT30C14AA
ASPT36C14AA
ASPT36C14AB
ASPT42D14AA
ASPT48D14AA
ASPT48D14AB
ASPT60D14AA
ASPT60D14AB



This manual is to be used by qualified technicians only.

This manual replaces RP-739.

© 2012-2013 Goodman Manufacturing Company, L.P. ♦ 5151 San Felipe, Suite 500 ♦ Houston, TX 77056

Important Information

Index

Functional Parts List	3
Illustration and Parts	4 - 9

Views shown are for parts illustrations only, not servicing procedures.

Introduction of new generation ASPT air handlers.
Rev A: addition of models with 9mm return bend coil changes

Text Codes:

- AR - As Required
- NA - Not Available
- NS - Not Shown
- 00000000 - See Note
- QTY - Quantity Example (QTY 3) (If Quantity not shown, Quantity = 1)
- M - Model Example (M1) (If M Code not shown, then part is used on all Models)

Expanded Model Nomenclature:

Example M1 - Model#1 M2 - Model#2 M3 - Model#3

Goodman Manufacturing Company, L.P. is not responsible for personal injury or property damage resulting from improper service. Review all service information before beginning repairs.

Warranty service must be performed by an authorized technician, using authorized factory parts. If service is required after the warranty expires, Goodman Manufacturing Company, L.P. also recommends contacting an authorized technician and using authorized factory parts.

Goodman Manufacturing Company, L.P. reserves the right to discontinue, or change at any time, specifications or designs without notice or without incurring obligations.

For assistance within the U.S.A. contact:
Consumer Affairs Department
Goodman Manufacturing Company, L.P.
7401 Security Way
Houston, Texas 77040
877-254-4729-Telephone
713-863-2382-Facsimile

For assistance outside the U.S.A. contact:
International Division
Goodman Manufacturing Company, L.P.
7401 Security Way
Houston, Texas 77040
713-861-2500-Telephone
713-863-2382-Facsimile

Functional Parts

Part

No:

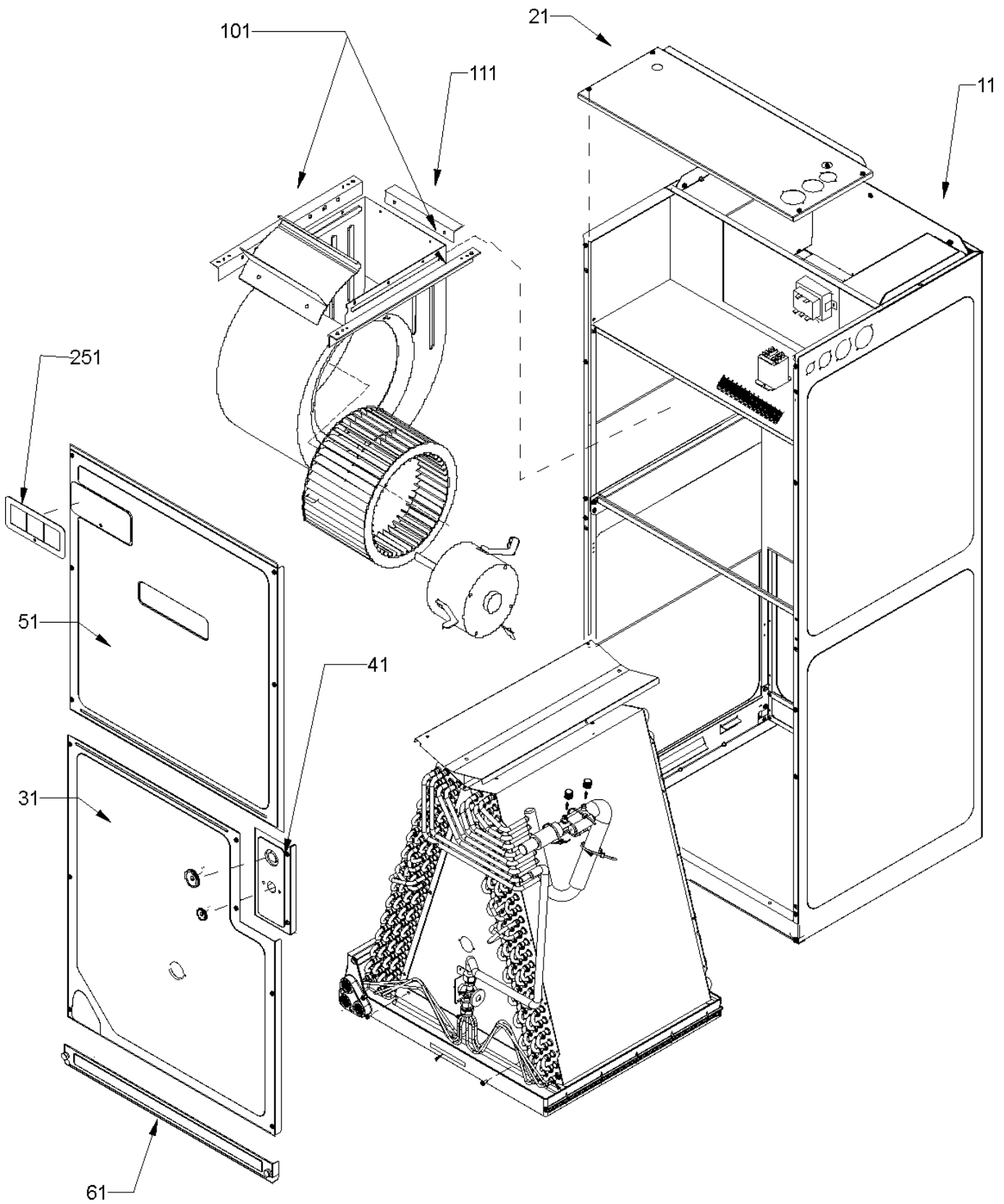
Description:

D6723311	BLOWER WHEEL (M9, M10)
B1368058	BLOWER WHEEL 10 X 8 (M3, M4, M5)
B1368042	BLOWER WHEEL 9 X 6 (M1, M2)
0150M00037	BLOWER WHEEL, 10 X 10 (M6, M7, M8)
0162A00062	FLOWRATOR, AL (M6, M7, M8)
0162D00085	FLOWRATOR, AL (M9, M10)
0162D00088	FLOWRATOR, AL (M2)
0162D00091	FLOWRATOR, AL (M1)
0162D00094	FLOWRATOR, AL (M3, M4, M5)
0131M00396	MOTOR 1HP, PROGRAMMED (M9, M10)
0131M00477	MOTOR PROGRAMMED (M6)
0131M00476	MOTOR PROGRAMMED (M3)
0131M00393	Motor, 1/2 HP, Programmed (M1)
0131M00395	Motor, 3/4 HP, Programmed (M7, M8)
0131M00481	Motor, 3/4 HP, Programmed (M2)
0131M00394	Motor, 3/4 HP, Programmed (M4, M5)
0130M00129	RELAY, WCK
B1141643	TRANSFORMER 208/230, 24V
0151R00036	VALVE, TXV R-410A (M4, M5, M6)
0151R00019	VALVE, TXV R-410A (M1, M2, M3)
0151R00035	VALVE, TXV R-410A (M7, M8, M9, M10)

Expanded Model Nomenclature

M1 - ASPT24B14AA
M2 - ASPT24B14AB
M3 - ASPT30C14AA
M4 - ASPT36C14AA
M5 - ASPT36C14AB
M6 - ASPT42D14AA
M7 - ASPT48D14AA
M8 - ASPT48D14AB
M9 - ASPT60D14AA
M10 - ASPT60D14AB

Cabinet Assy



Cabinet Assy

Ref. Part No: No:	Description:	Ref. Part No: No:	Description:
-------------------	--------------	-------------------	--------------

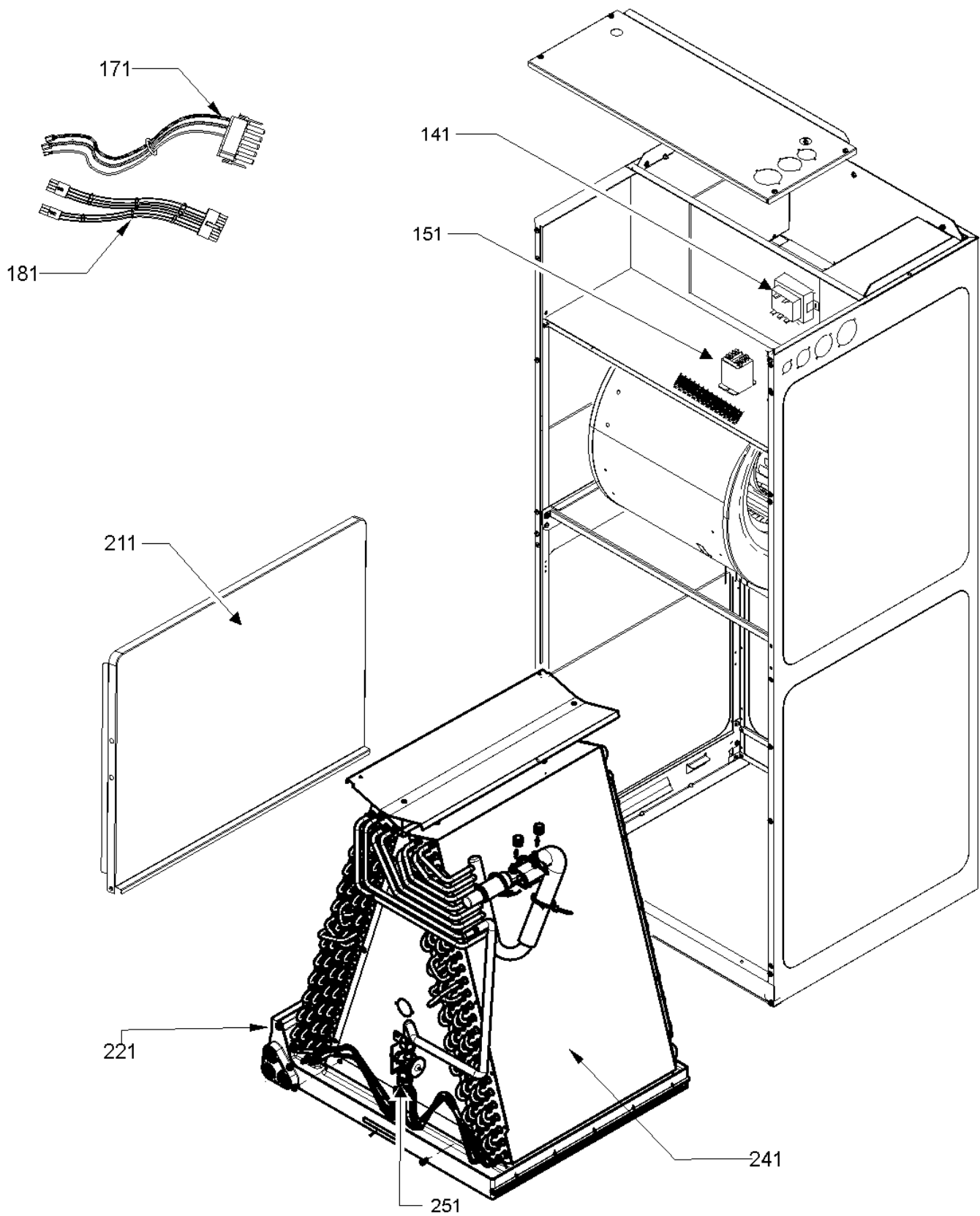
Image 1:

11	0270A00655PDG	Wrapper Assy, Painted (M1, M2)
11	0270A00689PDG	Wrapper Assy, Painted (M3, M4, M5)
11	0270A00690PDG	Wrapper Assy, Painted (M6, M7, M8, M9, M10)
21	0121A00373PDG	Plate, Upper tie, Painted (M1, M2)
21	0121A00374PDG	Plate, Upper tie, Painted (M3, M4, M5)
21	0121A00375PDG	Plate, Upper tie, Painted (M6, M7, M8, M9, M10)
31	0121A00248PDG	Panel, Lower Access, Ptd (M1, M2)
31	0121A00249PDG	Panel, Lower Access, Ptd (M3, M4, M5)
31	0121A00250PDG	Panel, Lower Access, Ptd (M6, M7, M8, M9, M10)
51	0121A00178PDG	Panel, Upper Access, Ptd (M6, M7, M8, M9, M10)
51	0121A00209PDG	Panel, Upper Access, Ptd (M3, M4, M5)
51	0121A00210PDG	Panel, Upper Access, Ptd (M1, M2)
61	0121A00242PDG	Panel, Filter Access, Ptd (M1, M2)
61	0121A00243PDG	Panel, Filter Access, Ptd (M3, M4, M5)
61	0121A00244PDG	Panel, Filter Access, Ptd (M6, M7, M8, M9, M10)
101	0121A00275	Rail, Blower (M9, M10)
101	0121A00336	Rail, Blower (M1, M2)
111	0121A00337	Angle, Blower Mounting (M1, M2)
111	0121A00353	Angle, Blower Mounting (M9, M10)
251	B1392641	PLASTIC CIRCUIT BREAKER INSERT
NS	BT1369063	90 DEGREE STUB (M2, M3, M4, M5, M6, M7, M8, M9, M10)
NS	0164A00002	GROMMET
NS	B1392630	GROMMET
NS	0163A00016	Thumb Screw (QTY 2)

Expanded Model Nomenclature

M1 - ASPT24B14AA
M2 - ASPT24B14AB
M3 - ASPT30C14AA
M4 - ASPT36C14AA
M5 - ASPT36C14AB
M6 - ASPT42D14AA
M7 - ASPT48D14AA
M8 - ASPT48D14AB
M9 - ASPT60D14AA
M10 - ASPT60D14AB

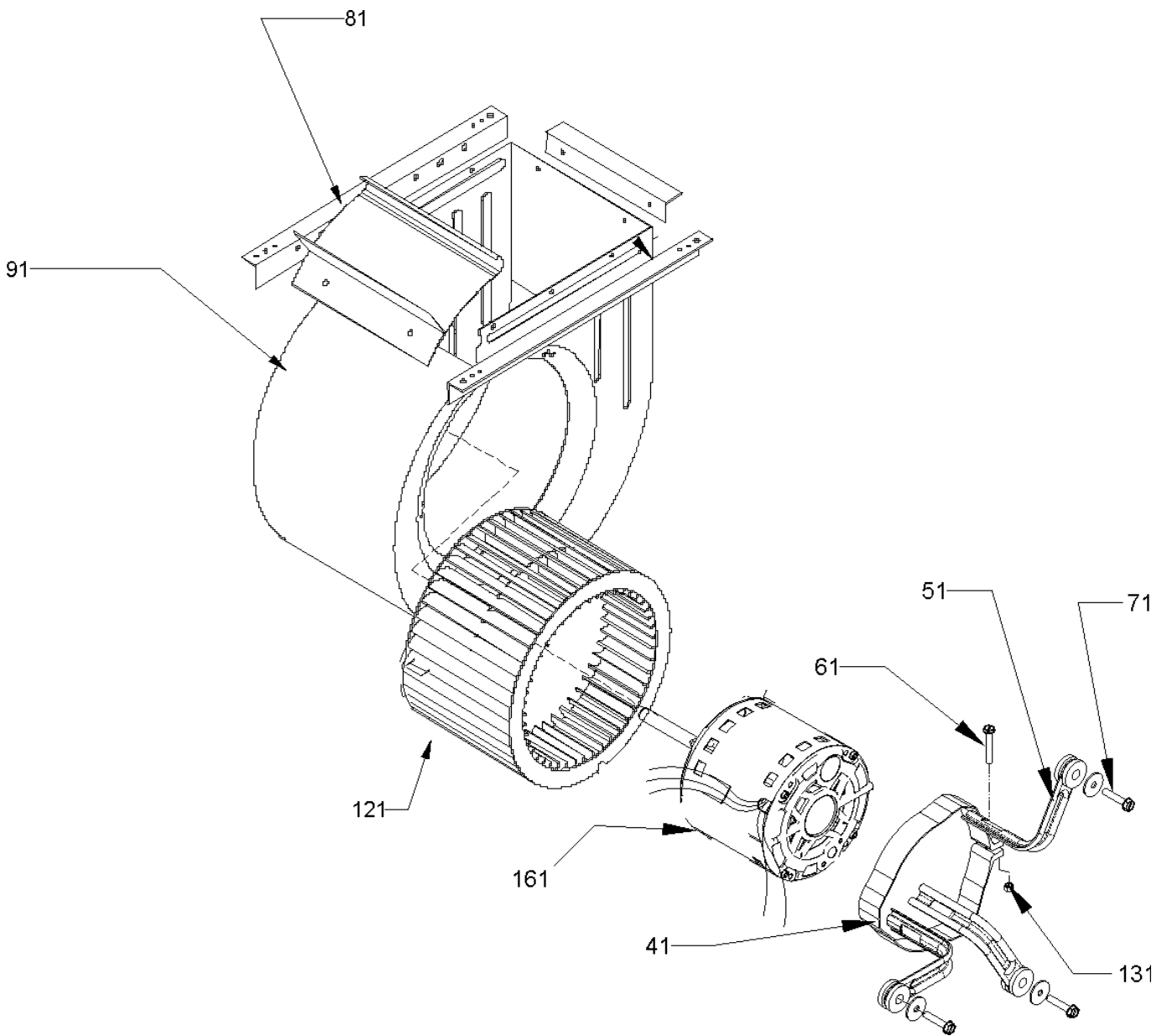
Internal Components



Internal Components

Ref. Part No:	No:	Description:	Ref. Part No:	No:	Description:
<i>Image 1:</i>			Expanded Model Nomenclature		
141	B1141643	TRANSFORMER 208/230, 24V	M1	-	ASPT24B14AA
151	0130M00129	RELAY, WCK	M2	-	ASPT24B14AB
171	0259A00012P	WIRE ASSY, 9 PIN FEMALE CONN.	M3	-	ASPT30C14AA
181	0259A00014P	WIRE ASSY, 9 PINN MALE CONN.	M4	-	ASPT36C14AA
211	0121A00304PDG	Drip Shield, Ptd (M1, M2)	M5	-	ASPT36C14AB
211	0121A00305PDG	Drip Shield, Ptd (M3, M4, M5)	M6	-	ASPT42D14AA
211	0121A00306PDG	Drip Shield, Ptd (M6, M7, M8, M9, M10)	M7	-	ASPT48D14AA
221	0161A00026	DRAIN PAN (M1, M2)	M8	-	ASPT48D14AB
221	0161A00027	DRAIN PAN (M3, M4, M5)	M9	-	ASPT60D14AA
221	0161A00028	DRAIN PAN (M6, M7, M8, M9, M10)	M10	-	ASPT60D14AB
241	0270A00672	COIL TUBING ASSY (M1)			
241	0270A00680	COIL TUBING ASSY (M9)			
241	0270A00686	COIL TUBING ASSY (M7)			
241	0270A00691	COIL TUBING ASSY (M4)			
241	0270A00699	COIL TUBING ASSY (M2)			
241	0270A00702	COIL TUBING ASSY (M5)			
241	0270A00705	COIL TUBING ASSY (M8)			
241	0270A00708	COIL TUBING ASSY (M10)			
241	0270A00715	COIL TUBING ASSY (M3)			
241	0270A00716	COIL TUBING ASSY (M6)			
251	0151R00019	VALVE, TXV R-410A (M1, M2, M3)			
251	0151R00035	VALVE, TXV R-410A (M7, M8, M9, M10)			
251	0151R00036	VALVE, TXV R-410A (M4, M5, M6)			
NS	0163M00175	CAP WITH O-RING			
NS	0162A00062	FLOWRATOR, AL (M6, M7, M8)			
NS	0162D00085	FLOWRATOR, AL (M9, M10)			
NS	0162D00088	FLOWRATOR, AL (M2)			
NS	0162D00091	FLOWRATOR, AL (M1)			
NS	0162D00094	FLOWRATOR, AL (M3, M4, M5)			
NS	0161A00024	Plastic Condensate Collector			
NS	0161A00025	Plastic Condensate Collector			
NS	0130M00020	TERMINAL BOARD			
NS	B1787000	VALVE CORE			
NS	0130M00021	WIRE HARNESS, X-13 LOW VOLTAGE			
NS	0130M00022	X-13 POWER HARNESS			

Blower Components



Blower Components

Ref. Part No:	No:	Description:	Ref. Part No:	No:	Description:
<i>Image 1:</i>					
41	0121M00038	MOTOR MOUNT BAND (M1, M2, M3, M4, M5)			
41	0121M00039	MOTOR MOUNT BAND (HEAVY DUTY) (M6, M7, M8, M9, M10)			
51	B1376853	MOTOR MOUNT ARM (M3, M4, M5)			
51	B1376861	MOTOR MOUNT ARM (M1, M2)			
51	B1376863	MOTOR MOUNT ARM (HEAVY DUTY) (M6, M7, M8, M9, M10)			
61	B1393323	MACHINE SCREW HWH 1/4-20 X 1-1/2 BZ			
71	M0250565	TC SCREW 1.25" (QTY 3)			
81	764741F	BLOWER BLOCK-OFF 10 X 10 (M6, M7, M8)			
81	1864700	BLOWER CUT-OFF 10 X 10 (M9, M10)			
81	764733F	BLOWER CUT-OFF 9 X 6 (M1, M2)			
81	764740	BLWR BLK-OFF,10X8 (M3, M4, M5)			
91	0271A00016	ASSY, BLOWER SHELL (M6, M7, M8)			
91	0271A00013	ASSY, BLOWER SHELL (11 X 10) (M9, M10)			
91	0271A00029	BLOWER HOUSING ASSY 10 X 8 (M3, M4, M5)			
91	1439389	BLOWER SHELL ASM F/ 9X6 WHL (M1, M2)			
121	D6723311	BLOWER WHEEL (M9, M10)			
121	B1368058	BLOWER WHEEL 10 X 8 (M3, M4, M5)			
121	B1368042	BLOWER WHEEL 9 X 6 (M1, M2)			
121	0150M00037	BLOWER WHEEL,10 X 10 (M6, M7, M8)			
131	B1393800	LOCKNUT, NYLON, INSERT 1/4, 20			
161	0131M00396	MOTOR 1HP, PROGRAMMED (M9, M10)			
161	0131M00476	MOTOR PROGRAMMED (M3)			
161	0131M00477	MOTOR PROGRAMMED (M6)			
161	0131M00393	Motor, 1/2 HP, Programmed (M1)			
161	0131M00394	Motor, 3/4 HP, Programmed (M4, M5)			
161	0131M00395	Motor, 3/4 HP, Programmed (M7, M8)			
161	0131M00481	Motor, 3/4 HP, Programmed (M2)			
NS	B1392918	WASHER, FLAT 1/4 ID X 1 OD (QTY 3)			

Expanded Model Nomenclature

M1 - ASPT24B14AA
M2 - ASPT24B14AB
M3 - ASPT30C14AA
M4 - ASPT36C14AA
M5 - ASPT36C14AB
M6 - ASPT42D14AA
M7 - ASPT48D14AA
M8 - ASPT48D14AB
M9 - ASPT60D14AA
M10 - ASPT60D14AB